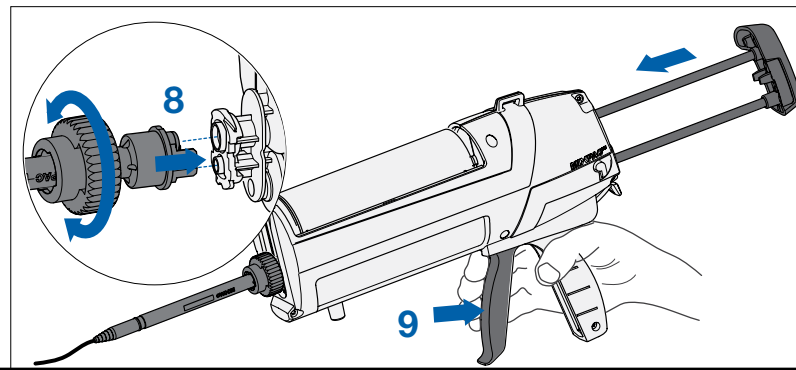
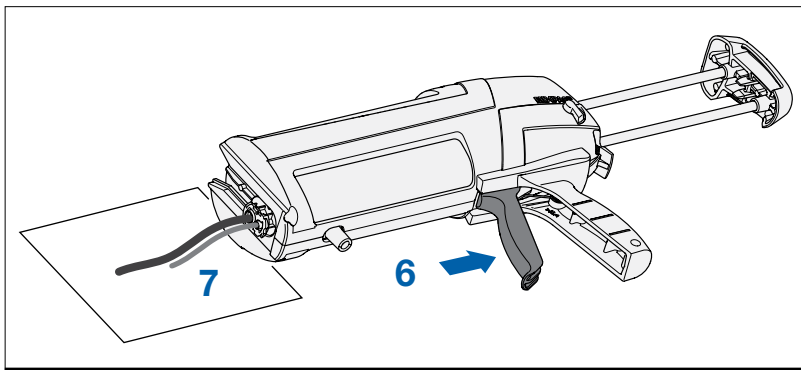
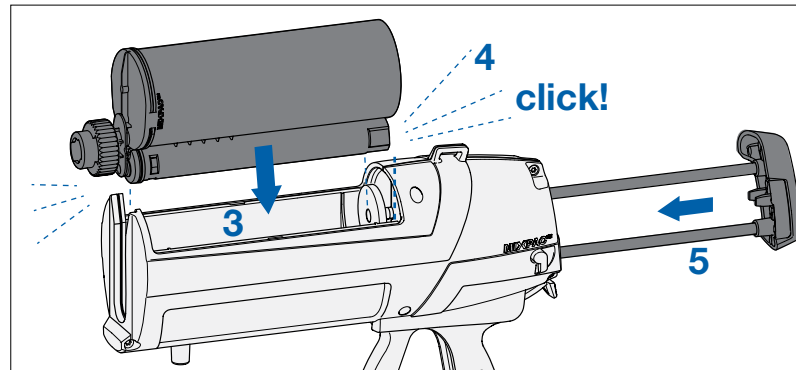
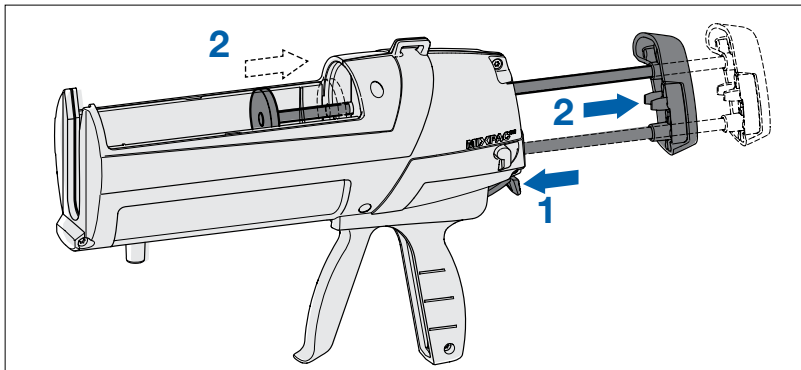
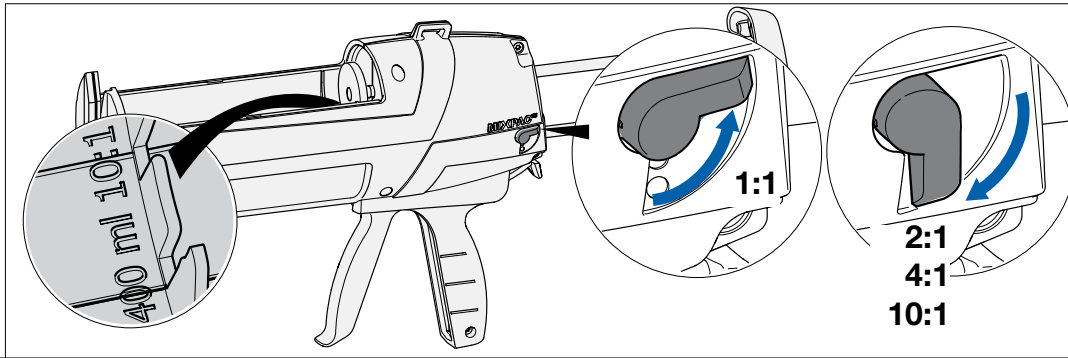
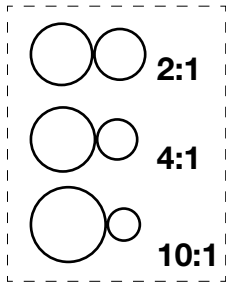


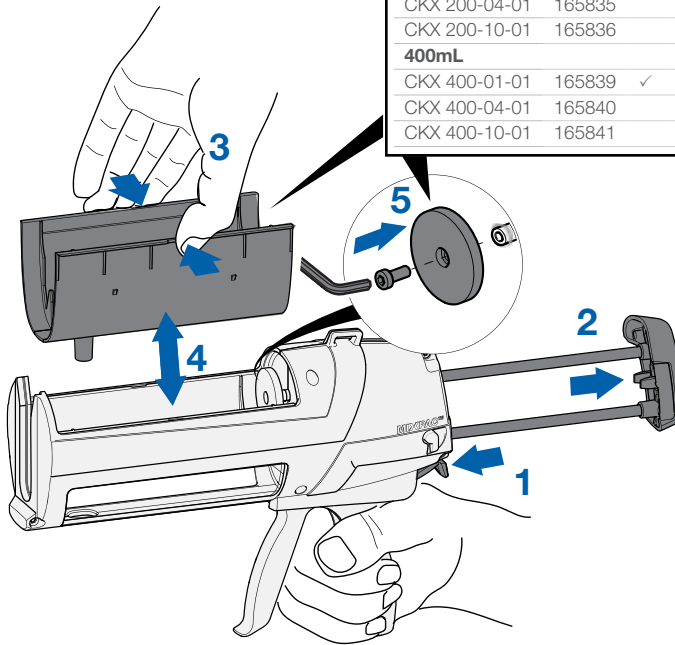
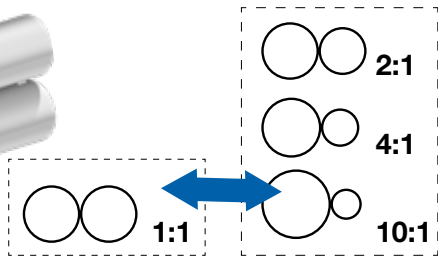
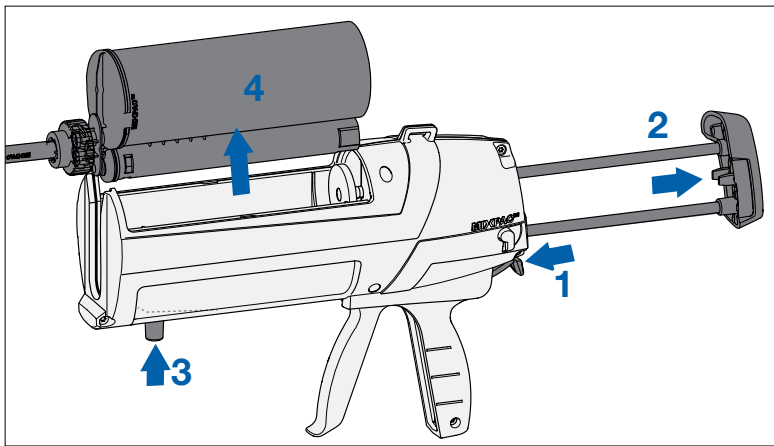
Quick Guide

MIXPAC DM2X 200/400

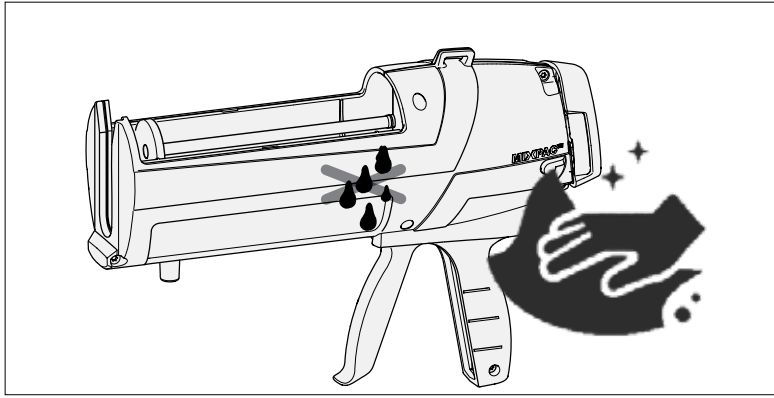


200mL

Mixing Ratio	Large Chamber Diameter	Small Chamber Diameter
1:1/2:1	27mm (1.06 in)	21mm (0.83 in)
4:1	35mm (1.38 in)	14mm (0.55 in)
10:1	44mm (1.73 in)	11mm (0.44 in)



200mL		1:1	2:1	4:1	10:1
CKX 200-01-01	165834	✓	✓		
CKX 200-04-01	165835			✓	
CKX 200-10-01	165836				✓
400mL					
CKX 400-01-01	165839	✓	✓		
CKX 400-04-01	165840			✓	
CKX 400-10-01	165841				✓



www.sulzer.com/DM2X

Legal Notice: The information contained in this publication is believed to be accurate and reliable, but is not to be construed as implying any warranty or guarantee of performance. Sulzer Mixpac Applicator Systems waives any liability and indemnity for effects resulting from its application. © Sulzer 2020



1P27264_A
APS_AD_MX_OG_DM2X_03.20